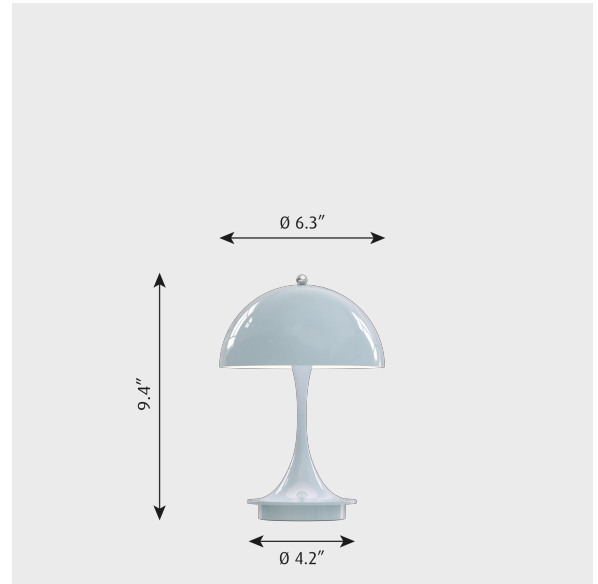


# PANTHELLA 160 PORTABLE

**Project name:**

**Project type:**

**Notes:**



## Design

Verner Panton

## Variant options

**Color**

- Black
- Coral
- Grey opal acrylic
- Orange
- Pale blue
- Pale rose
- White
- White opal acrylic

**Cable type**

- Blk
- Wht

**Light source**

- LED 2700K

## Weight

Min: 0.882 lbs Max: 0.882 lbs

## Finish

Black, Coral, Grey opal acrylic, Orange, Pale blue, Pale rose, White, White opal acrylic

## Light distribution diagrams

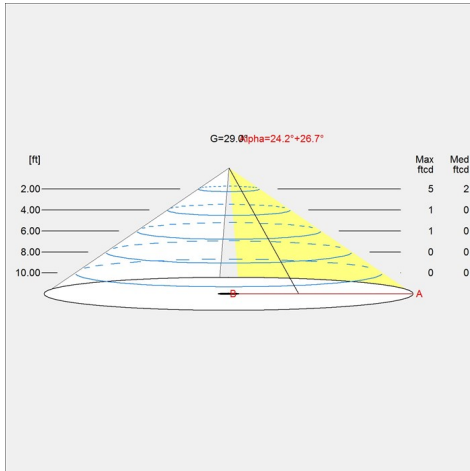
For the full data set on all variants, see [louispoulsen.com](http://louispoulsen.com).

## Information

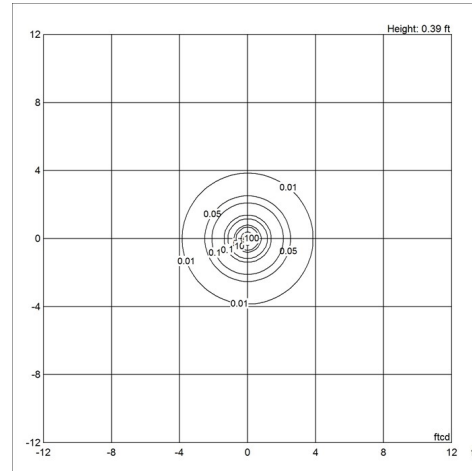
Please note that Panthella Portable comes with a USB cable but without an adapter and Qi charger. A separate USB adapter is available as an accessory. Compatible with standard USB adapters (Min. 1.5A) and Qi wireless chargers.

White cord for White Opal and Pale Rose variants. Black cord for other variants.

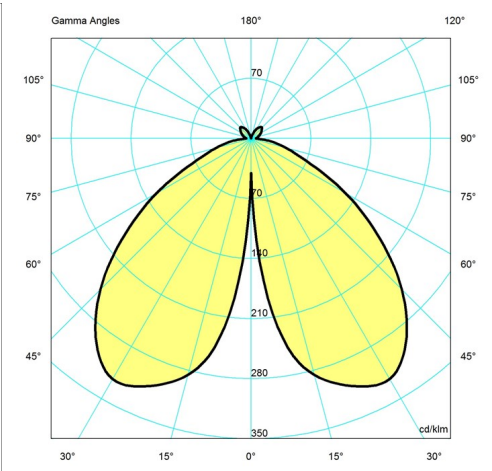
Cartesian



Isolux



Polar



## Variant options

**Color**

-  Pale blue
-  White opal acrylic
-  Grey opal acrylic
-  Orange
-  Coral
-  Black
-  White
-  Pale rose

**Cable type**

- Blk
- Wht
- Blk
- Blk
- Blk
- Blk
- Wht
- Wht

**Light source**

- LED 2700K
- LED 2700K
- LED 2700K
- LED 2700K
- LED 2700K
- LED 2700K
- LED 2700K
- LED 2700K

**Variant number**

- 5744612610
- 5744166768
- 5744168070
- 5744612584
- 5744612623
- 5744612571
- 5744612607
- 5744162924